



UH8105

CMOS IC

Hall Effect Micro Switch IC

DESCRIPTION

The **UH8105** is a low power, pole independent Hall-effect switch with a latched digital output driver. It can work in 2.5 volt supply. Either a north or south pole of sufficient flux will turn the output on; in the absence of a magnetic field, the output is off.

When a magnetic field enters the hall element and exceeds the operate point B_{OPS} (or less than B_{OPN}) the output turns on (output is low). When the magnetic field is below the release point B_{RPS} (or above B_{RPN}), the output turns off (output is high).

FEATURES

- *Micropower operation
- *2.5V to 5.0V battery operation
- *Offset Canceling Technology
- *Independent of North or South Pole Magnet,
- *Superior temperature stability
- *Extremely Low Switch-Point Drift

APPLICATIONS

- *Micro Switch
- *Handheld Wireless Application Wake Up Switch
- *Clamp Shell Type Application Switch
- *Magnet Switch in Low Duty Cycle Applications

ORDERING INFORMATION

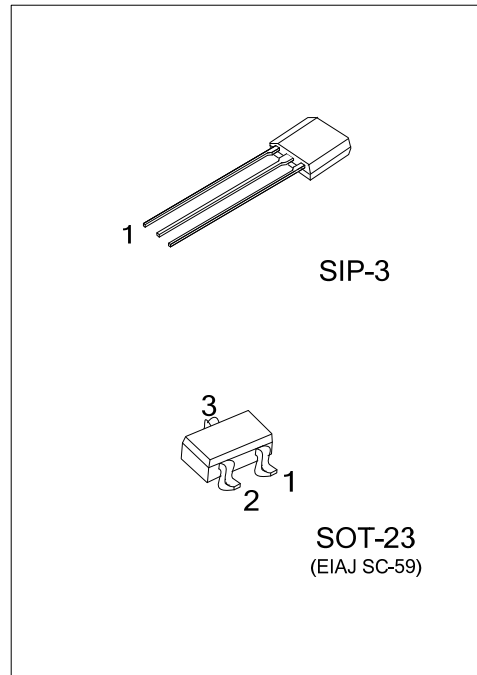
Ordering Number	Package	Pin Assignment			Packing
		1	2	3	
UH8105G-AE3-R	SOT-23	O	I	G	Tape Reel
UH8105G-G03-B	SIP-3	I	G	O	Tape Box
UH8105G-G03-K	SIP-3	I	G	O	Bulk

Note: Pin Assignment : O: Output I: V_{DD} G: GND

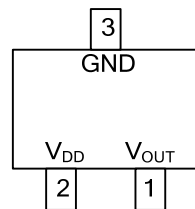
<p>UH8105G-AE3-R</p> <p>(1)Packing Type</p> <p>(2)Package Type</p> <p>(3)Green Package</p>	<p>(1) R: Tape Real, B: Tape Box, K: Bulk</p> <p>(2) AE3: SOT-23, G03: SIP-3</p> <p>(3) G: Halogen Free and Lead Free</p>
--------------------------------------------------------------------------------------------	---------------------------------------------------------------------------------------------------------------------------

MARKING

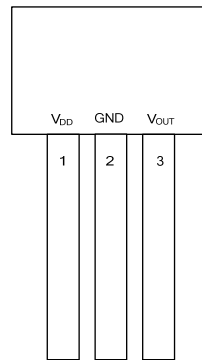
SOT-23	SIP-3
<p>UFG</p>	<p>8105G</p> <p>□□□</p> <p>→ Date Code</p> <p>1</p>



■ PIN CONFIGURATIONS



SOT-23



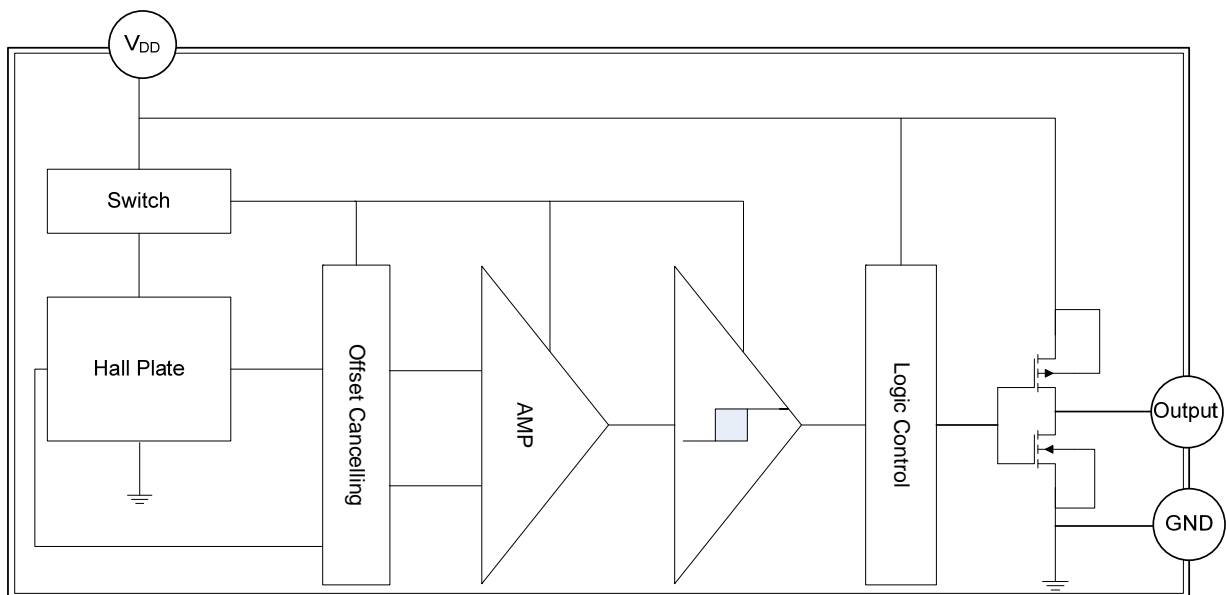
SIP-3

■ PIN DESCRIPTION

PIN NAME	TYPE	DESCRIPTION
Output	O	Output
V _{DD}	P/I	Power Supply Input
GND	P	Ground

Note: P: power supply, I: input, O: output

■ BLOCK DIAGRAM



■ ABSOLUTE MAXIMUM RATING (T_A=25°C)

PARAMETER	SYMBOL	RATINGS	UNIT
Magnetic Flux Density	B	Unlimited	mT
Supply Voltage	V _{DD}	5.5	V
Output Current	I _O	1	mA
Power Dissipation	SIP-3	400	mW
	SOT-23	200	mW
Maximum Junction Temp	T _J	150	°C
Operation Temperature	T _{OPR}	-40 ~ +85	°C
Storage Temperature	T _{STG}	-65 ~ +150	°C

Note: Absolute maximum ratings are those values beyond which the device could be permanently damaged.

Absolute maximum ratings are stress ratings only and functional device operation is not implied.

■ RECOMMENDED OPERATING CONDITIONS (T_A=25°C)

PARAMETER	SYMBOL	Conditions	MIN	TYP	MAX	UNIT
Supply Voltage	V _{DD}	Operating	2.5	-	5.5	V
Ambient Temperature	T _A		-40		85	°C

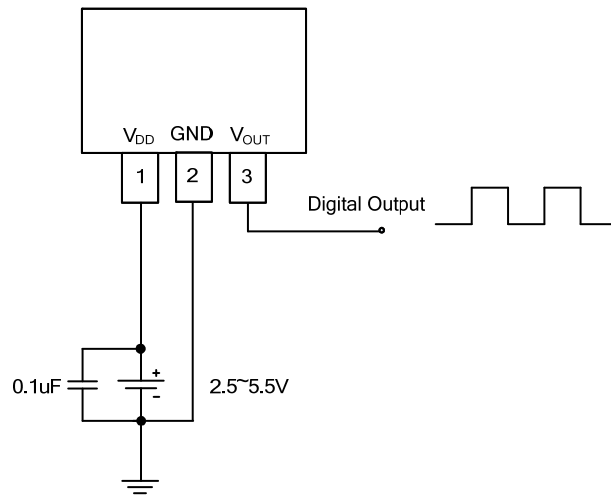
■ ELECTRICAL CHARACTERISTICS (T_A=25°C, V_{DD}=3V)

PARAMETER	SYMBOL	CONDITIONS	MIN	TYP	MAX	UNIT
Supply Voltage Range	V _{DD}	Operating	2.5		5.5	V
Supply Current	I _{DD}	Average		5	10	uA
		Awake		1.2	2	mA
		Sleep		2	8	uA
Output Leakage Current	I _{OFF}	V _{out} = 5.5V, B _{RPN} <B<B _{RPS}			1	uA
Output Low Voltage	V _{OL}	I _{SINK} = 1mA		20	40	mV
Output High Voltage	V _{OH}		V _{OUT} -0.4V			V
Wake up Time	t _{AWAKE}			60		uS
Period	t _{PERIOD}			60		mS
Duty cycle	d.c.			0.1		%

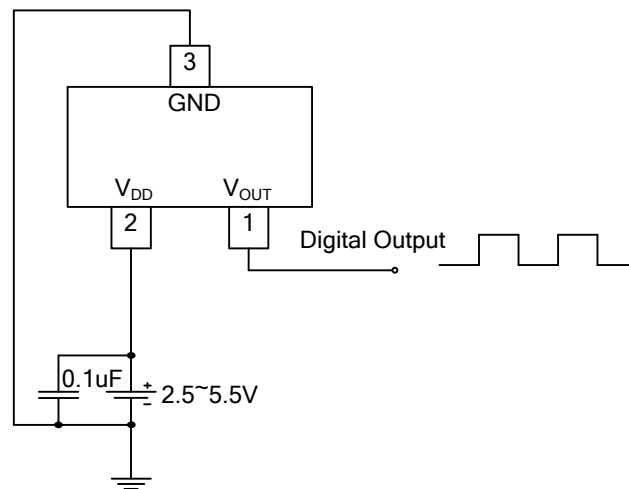
■ MAGNETIC CHARACTERISTICS (T_A=25°C, V_{DD}=3V, 1mT=10Gauss)

PARAMETER	SYMBOL	MIN	TYP	MAX	UNIT
Operation Points	B _{OPS}	15	30	45	Gauss
	B _{OPN}	-45	-30	-15	
Release Points	B _{RPS}	10	20	40	
	B _{RPN}	-40	-20	-10	
Hysteresis	B _{hys}		10		

■ TYPICAL CIRCUIT

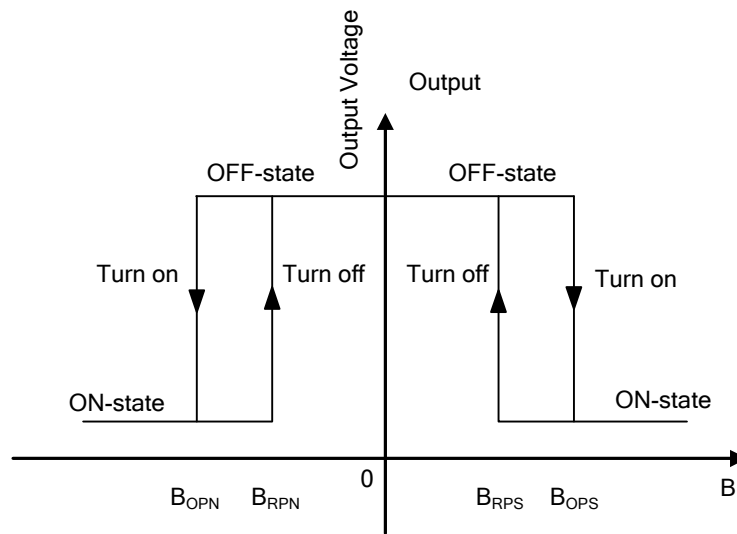


SIP-3



SOT-23

■ MAGNETIC FLUX



SOT-23 / SIP-3

UTC assumes no responsibility for equipment failures that result from using products at values that exceed, even momentarily, rated values (such as maximum ratings, operating condition ranges, or other parameters) listed in products specifications of any and all UTC products described or contained herein. UTC products are not designed for use in life support appliances, devices or systems where malfunction of these products can be reasonably expected to result in personal injury. Reproduction in whole or in part is prohibited without the prior written consent of the copyright owner. The information presented in this document does not form part of any quotation or contract, is believed to be accurate and reliable and may be changed without notice.